

desco drill rig

Desco Inc.(HQ/Manufacturer)
HEAD OFFICE: 1240-1, Ok-Dong, Gwangsan, Gwangju, Korea
TEL : 82.62.952.4564 / FAX : 82.62.953.1593

EXPORT DIVISION
2607 jidong, Lottecastle, 76, Soongin-Dong, Jongno-Gu, Seoul, Korea
TEL : 82-2-3670 6400 / FAX : 82-2-3670 6399
E-mail : desco@desco-inc.com



DS7500HDD

Horizontal Directional Drill Rig



DS7500HDD (Strong & Powerful)

Crawler carriage with mounted control cabin.

The horizontal directional drill rig DS7500HDD is a simple and technically developed device.

The hydraulic power rotary head are smoothly driven by hyd. cylinder feed-system

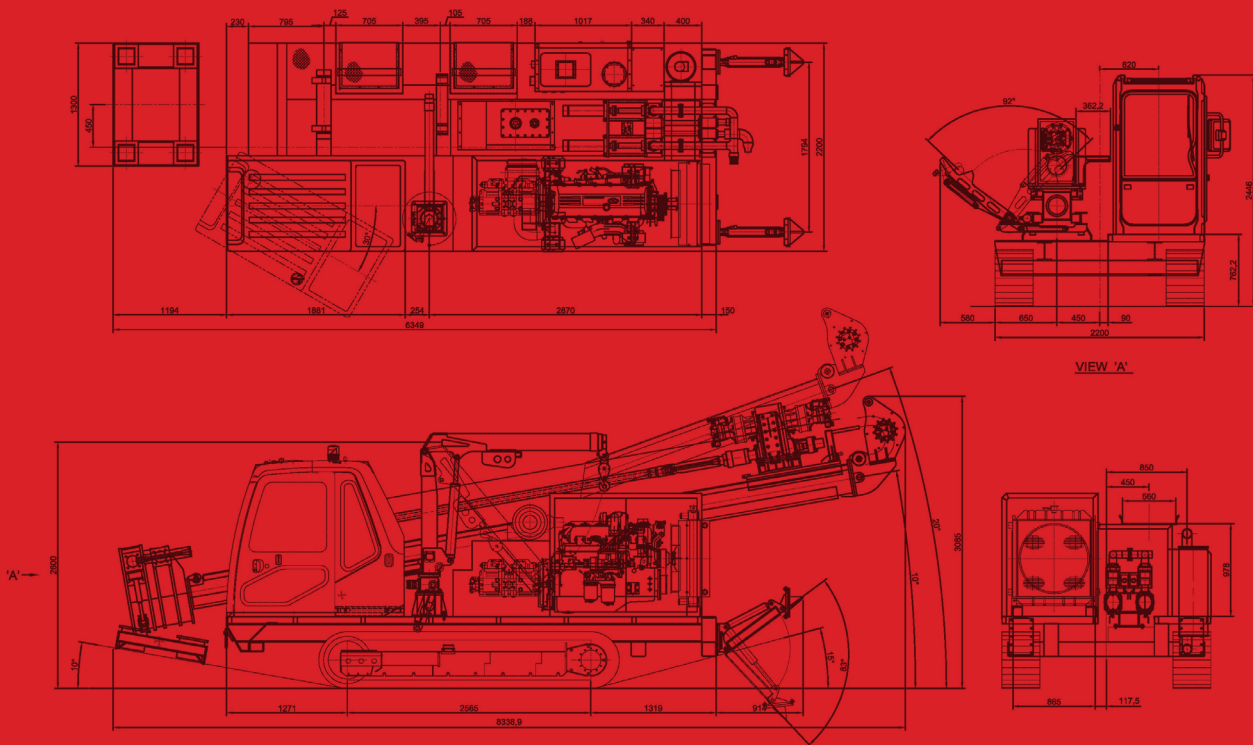
Due to pull back power of 30 t & a torque can be increased, directional drilling with length of up to 600M with dia. 600mm

Rod crane "on board"

Desco's mud pump "on board" that is driven by the hydraulic system of the machine

All operations are controlled in control cabin

- * DS7500HDD for directional drilling
- * Pullback force 30 ton
- * Weight 13ton
- * Mud pump "on board"
- * Rod crane "on board"
- * All instrument & control levers are concentrated.
- * Installed major hyd. Parts so easy to find spare parts in the market
- * Options - crane, rod handling device, winch, pre-heating system, air conditioner and so on



The design & dimension can be changed as drill rig's specification

If you want the kind of drill rigs,
DESCO INC. is at your solution and service.



desco drill rig

TECHNICAL SPECIFICATION

Top head rotation

Rotation torque	1,200kg.M (low) / 1000kg.M (high)
Rotation speed	0 ~ 80 rpm (low) / 0 ~ 150 (high)
Rotation speed & torque can be controlled	

Two speed motors

Feed System

Feed system type	Variable Speed Hydraulic Cylinder
Feed hydraulic cylinder	160mm*110mm*2250mm
Feed stroke	4.5M (Drill Pipe - Max. 3.0M)
Pull-back force	30ton
Down force	14ton

Dimension & Weight

Net weight	9.0ton
Width	2.2M
Length	7.5M
Height	2.6M

Engine

Engine model	Hyundai D6BT
Engine power	175HP@1800rpm
Cooling system	Water
Fuel tank	300 Liters
Electrical system	24V DC

Hydraulic system

General	Single variable displacement pump, pressure & flow controlled
Pump model	K3V112*2+28*2 (4 pumps)
System hyd. oil flow	390 LPM
Hydraulic tank	300 Liters
Operating pressure	280 Bar

Cabin type

Cabin Type, Heating system

Double clamp

Max. diameter	4.5"
Clamping cylinder	20ton
Breaking cylinder	10ton

Outrigger

Two rear hyd. Jacks

Crawler base

Doosan model (Steel)

Mud pump

Hydraulic cylinder operated duplex piston pump	
Capacity	600 LPM
Max. pressure	70 bar

FIXING PLATE

Width	1,800mm
-------	---------

If you want the kind of drill rigs, DESCO INC. is at your solution and service.



STANDARD / OPTIONAL

	STANDARD	OPTIONAL	OPTIONAL REQUEST
Drill head			
Drill head	DSDH-900	DSDH-1000	
Drill head - sliding	0		
Feed system			
Mast slide (dump up and down)	0		
Control panel	0		
Hydraulic system			
Auxiliary hydraulic ports		0	
Hydraulic breakout table			
Max. diameter	max. 4"	over 4"	
Double clamp	0		
Crawler base			
Steel track	0		
Steel track with rubber pad		0	
Main hoist			
Main winch		0	
Mud pump			
Capacity	600LPM		
Cabin type	0		
Crane		0	
Air conditioner		0	
Preheating system		0	
Wireless remote travel		0	

Notice As your optional list, engine, hyd. system, crawler and so on can be changed and design of drill rigs can be changed.

Specifications are general and subject to change without notice. Due to selected options, delivered equipment may not necessarily match that shown.

