

# desco drill rig

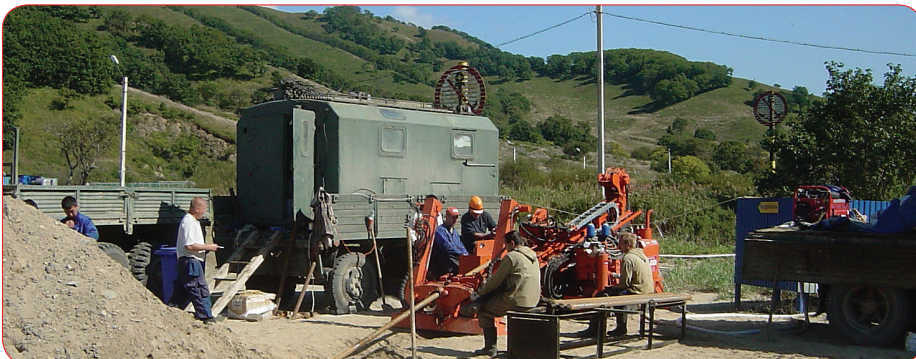
Desco Inc.(HQ/Manufacturer)  
HEAD OFFICE: 1240-1, Ok-Dong, Gwangsan, Gwangju, Korea  
TEL : 82.62.952.4564 / FAX : 82.62.953.1593

EXPORT DIVISION  
2607 jidong, Lottecastle, 76, Soongin-Dong, Jongno-Gu, Seoul, Korea  
TEL : 82-2-3670 6400 / FAX : 82-2-3670 6399  
E-mail : desco@desco-inc.com



## DS6500HDD

Horizontal Directional Drill Rig



# DS6500HDD (Most standard)

The horizontal directional drill rig DS6500HDD is a simple and technically developed device.

The hydraulic power rotary head are smoothly driven by hyd. cylinder feed-system

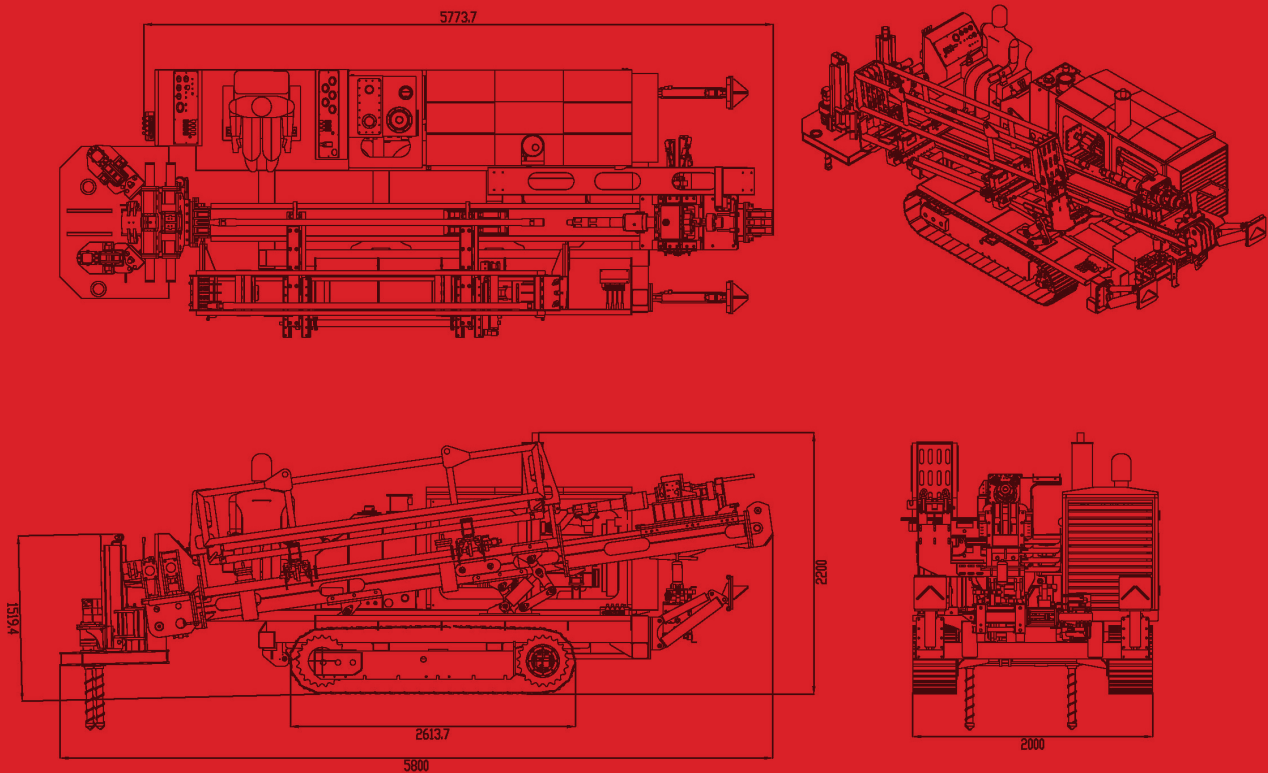
The pull back power of 16 t & a torque can be increased

Auto rod changer "on board"

Desco's mud pump "on board" that is driven by the hydraulic system of the machine

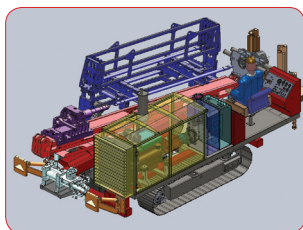
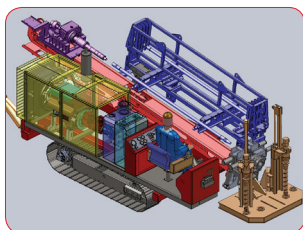
All operations are controlled by control panel

- \* DS6500HDD for directional drilling
- \* Pullback force 16 ton
- \* Weight 7ton
- \* Mud pump "on board"
- \* Easy to mobile, easy to turn and rides on rubber tracks for less surface disturbance
- \* All instrument & control levers are concentrated.
- \* Installed major hyd. Parts so easy to find spare parts in the market
- \* Options - auto rod changer, fixing plate with anchor system, winch, pre-heating system, wireless remote control and so on



The design & dimension can be changed as drill rig's specification

If you want the kind of drill rigs,  
DESCO INC. is at your solution and service.



## TECHNICAL SPECIFICATION

### Top head rotation

Rotation torque  
Rotation speed  
Rotation speed & torque can be controlled

### Two speed motors

600kg.M (low) / 300kg.M (high)  
0 ~ 60 rpm (low) / 0 ~ 120 (high)

### Feed System

Feed system type  
Feed hydraulic cylinder  
Feed stroke  
Pull-back force  
Down force

Variable Speed Hydraulic Cylinder  
120mm\*90mm\*2000mm  
4.0M (Drill Pipe - Max. 3.0M)  
16ton  
7ton

### Dimension & Weight

Net weight  
Width  
Length  
Height

7.0ton  
2.2M  
5.9M  
2.4M

### Engine

Engine model  
Engine power  
Cooling system  
Fuel tank  
Electrical system

Hyundai D4DA turbucharged  
105HP@1800rpm (intercooler - 120HP)  
Water  
150 Liters  
24V DC

### Hydraulic system

General  
Pump model  
System hyd. oil flow  
Hydraulic tank  
Operating pressure

Single variable displacement pump, pressure & flow controlled  
K3V63\*2 + 28\*2 (4 pumps)  
250 LPM  
200 Liters  
280 Bar

### Double clamp

Max. diameter  
Clamping cylinder  
Breaking cylinder

4"  
15ton  
7ton

### Outrigger

Two rear hyd. Jacks

### Crawler base

Desco model (Rubber)

### Mud pump

Hydraulic cylinder operated duplex piston pump  
Capacity  
Max. pressure

300 LPM  
70 bar

### Auto rod changer

For drill pipe - 3M \* 28pcs

### FIXING PLATE

Fixing plate w/o anchor system  
Width

1,650mm



# If you want the kind of drill rigs, DESCO INC. is at your solution and service.



## STANDARD / OPTIONAL

	STANDARD	OPTIONAL	OPTIONAL REQUEST
<b>Drill head</b>			
Drill head	DSDH-850		
Drill head - sliding	0		
<b>Feed system</b>			
Mast slide (dump up and down)	0		
Control panel	0		
<b>Hydraulic system</b>			
Auxiliary hydraulic ports		0	
<b>Hydraulic breakout table</b>			
Max. diameter	max. 4"	over 4"	
Double clamp	0		
<b>Crawler base</b>			
Rubber track	0		
Steel track with rubber pad		0	
<b>Main hoist</b>			
Main winch		0	
<b>Mud pump</b>			
Capacity	300LPM		
Preheating system		0	
Winch		0	
Fixing plate with auger system		0	
Wireless remote travel		0	
Triplex mud pump		0	

**Notice** As your optional list, engine, hyd. system, crawler and so on can be changed and design of drill rigs can be changed.

Specifications are general and subject to change without notice. Due to selected options, delivered equipment may not necessarily match that shown.

